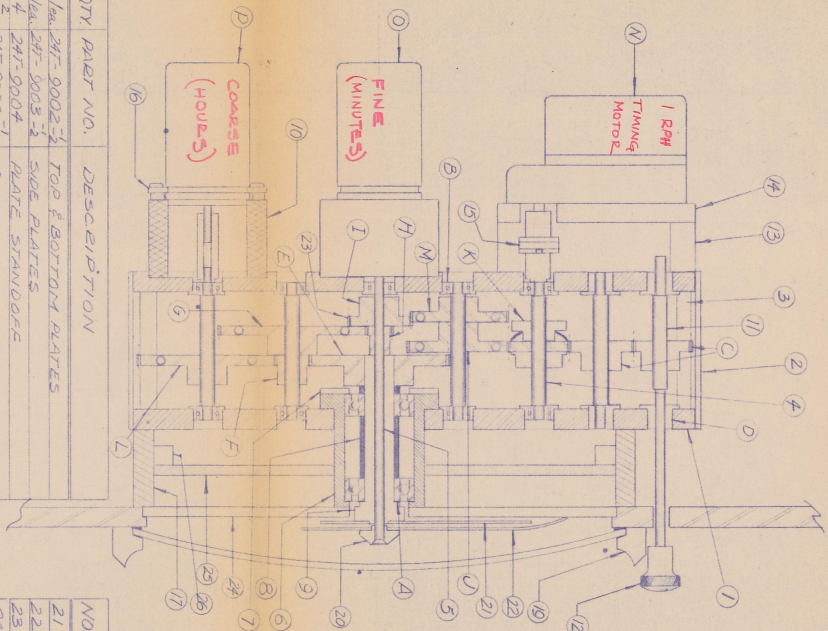
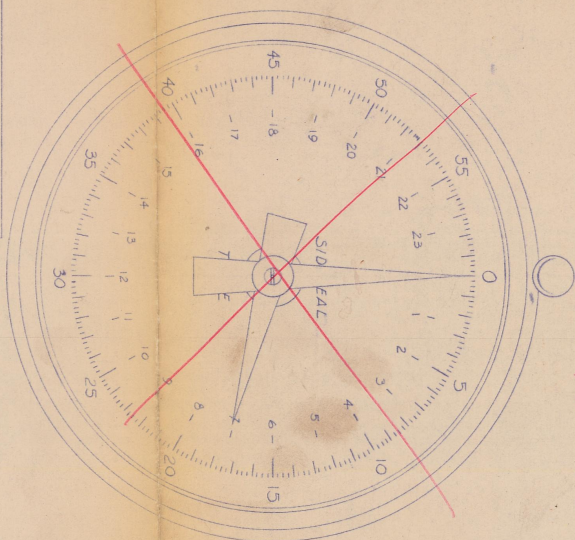


The unit attached to the front panel of your display looks like this inside except that some of the parts which drive the hands are deleted. The gear train from the 1 RPM timing motor to the coarse & fine synchro differentials are, however, identical to those shown here.

JS



NO. QTY	PART NO.	DESCRIPTION
1	24T-9002-2	TOP & BOTTOM PLATES
1/4	24T-9003-3	SLIDE PLATES
4	24T-9004	PLATE STIMULORS
2	24T-9005-2	GEAR SHAFTS
5	24T-9006	GEAR SHAFT
6	24T-9007	OUTER SHAFT BEG. RETAINER
7	24T-9008	OUTER SHAFT BEG. SPRINGER
8	24T-9009	OUTER SHAFT
9	24T-9010	SYNCHRO MOUNT
10	24T-9011	RESET KNOB
11	24T-9012-3	MOTOR PLATE SPACER
12	24T-9014	MOTOR PLATE
13	24T-9015	SHAFT COUPLING
14	24T-9016	MOTOR MOUNT
15	24T-9017	PLATE MOUNT (NOT SHOWN)
16	24T-9018	BEZEL MOUNT (NOT SHOWN)
17	24T-9019	HUB - INNER SHAFT
18	24T-9020	HUB - INNER SHAFT
19	24T-9021	HUB - INNER SHAFT
20	24T-9021	HUB - INNER SHAFT

NO. QTY	PART NO.	DESCRIPTION
21	24T-9022	HAND - OUTER SHAFT
22	24T-9023	HAND - INNER SHAFT
23	24T-9024	GEAR MODIFICATION
24	24T-9025	INDICIAL CLACK FACE
25	24T-9026	RED DIFFUSER
26	24T-9027	RED DIFFUSER MOUNT

LT.	QTY	PART NO.	DESCRIPTION
A	2	53 KDD	FANFUE BEG.
B	9	F33 KDD3	FANFUE BEG.
C	2	Y6748	BOSTON GEAR
D	4	FE-25-E	BOSTON BUSHING
E	1	24T-112/114	DYNAKO GEAR
F	1	255-E8	DYNAKO GEAR
G	1	AB-250-120	DYNAKO GEAR - 1275 BORE
H	1	256-E20	DYNAKO GEAR
I	1	257-E8	DYNAKO GEAR - 1275 BORE
J	1	AB250-82	DYNAKO GEAR - 1275 BORE
K	1	H32R20-S1	SLIP CLUTCH - 1275 BORE

LT.	QTY	PART NO.	DESCRIPTION
L	1	AB250-112	DYNAKO GEAR
M	1	AB250-79	DYNAKO GEAR
N	1	P28 RA436	CRANK TIMING MOTOR 1 RPM @ 60°
O	1		24 SPEED SYNCHRO (CDX)
P	1		SPEED SYNCHRO (CDX)

ASTRO MECHANICS, INC.
5800 RESEARCH BLVD.
AUSTIN, TEXAS

SIDEWIND CLOCK

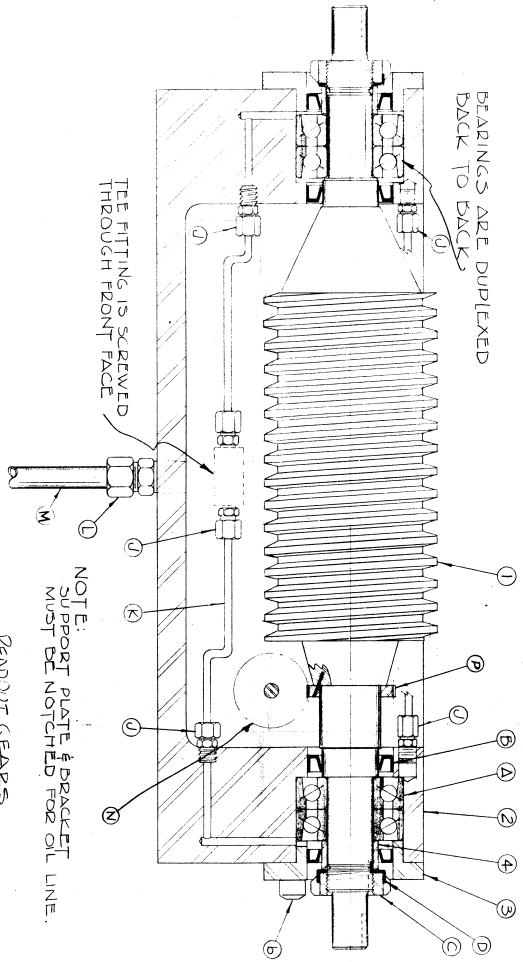
NO. REGD. ASTK
SCALE FULL TOU, FR. CT. DEC.
DWN. IC GROUP 24T-1000
DATE 9/20/65 DWG. NO. 24T-1090

Quantity	Part No.	Purchased Parts
A/2	73294W-DB	FAFNIR DUPLICATED BALL BEAR.
B/4	50202S	NATIONAL OIL SEAL
C/2	N04	LOCKNUT
D/2	W04	STAR LOCK-WASHER
E/2	3-04	BLUEVILLE SPRING WASHER
F/3	SFK007	FAFNIR BALL BEG.
G/1	50435	NATIONAL OIL SEAL
H/2		1/2" x 3/4" ROLL PIN
I/2	308 x 1/2"	1/2" DIA. ROLL-TURNING CONNECTOR
K/2		OSGARD
M/3	ACU-50	FLARING CHROME-PLATE FITTING
N/1	ACU-45	1/2" DIA. COPPER TUBING
P/1		PIE GEAR HELICAL GEAR

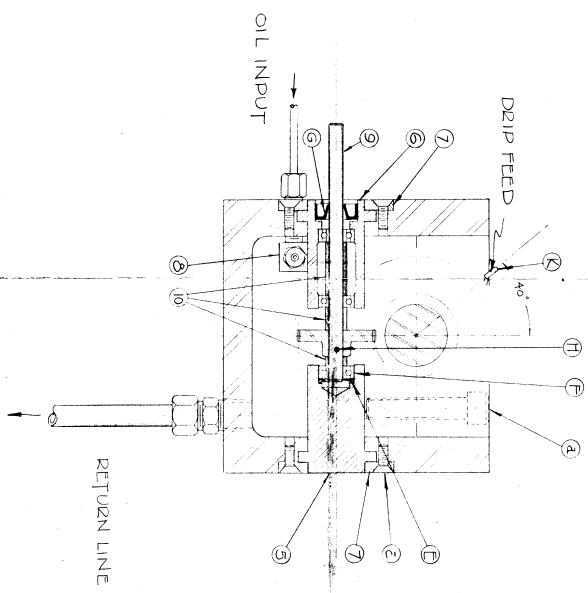
Quantity	Part No.	Description
1	AOZ-04-1101	RA WORM
1	AOZ-04-1102	RA WORM GEARBOX
2	24T-6525	WORM BRG. RETAINER
4	24T-6526	WORM SEAL SLEEVE
5	24T-5022	BRG. HOUSING "B"
7	24T-5021	BRG. HOUSING "A"
7	24T-6528	HOUSING CLAMP RING
5	AOZ-SH103	TEE FITTING
1	24T-5024	ENCLOSURE SACKET
10	AOZ-SH102	ENCLOSURE SACKET SPACERS

FASTENERS

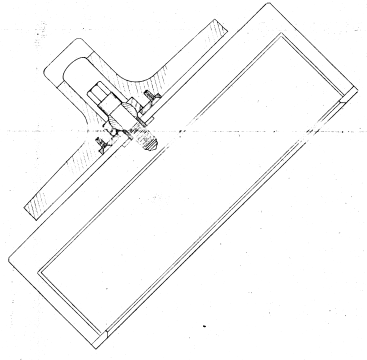
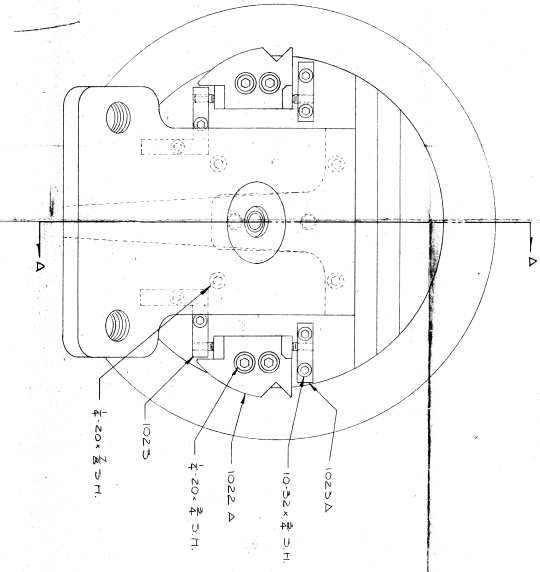
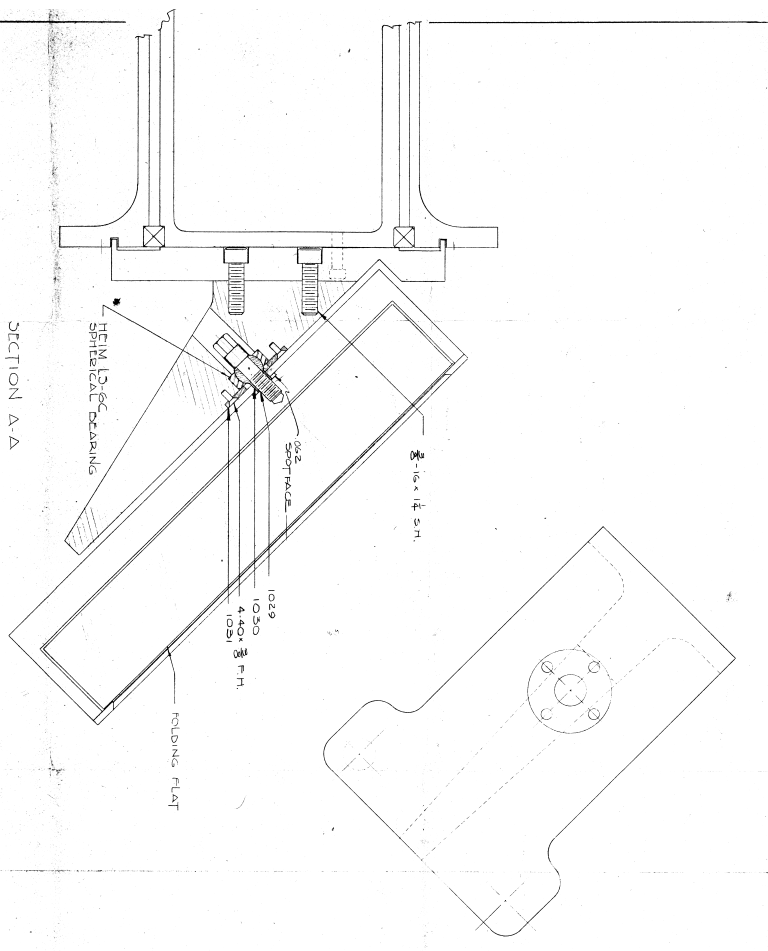
4	3/16 x 1 1/2	SHCS
8	1/8 x 1 3/8	SHCS
2	3/8 x 3 1/2	SH F.H.C.S.



NOTE:
SUPPORT PLATE & BRACKET
MUST BE NOTCHED FOR OIL LINE.
DEADEND GEARS

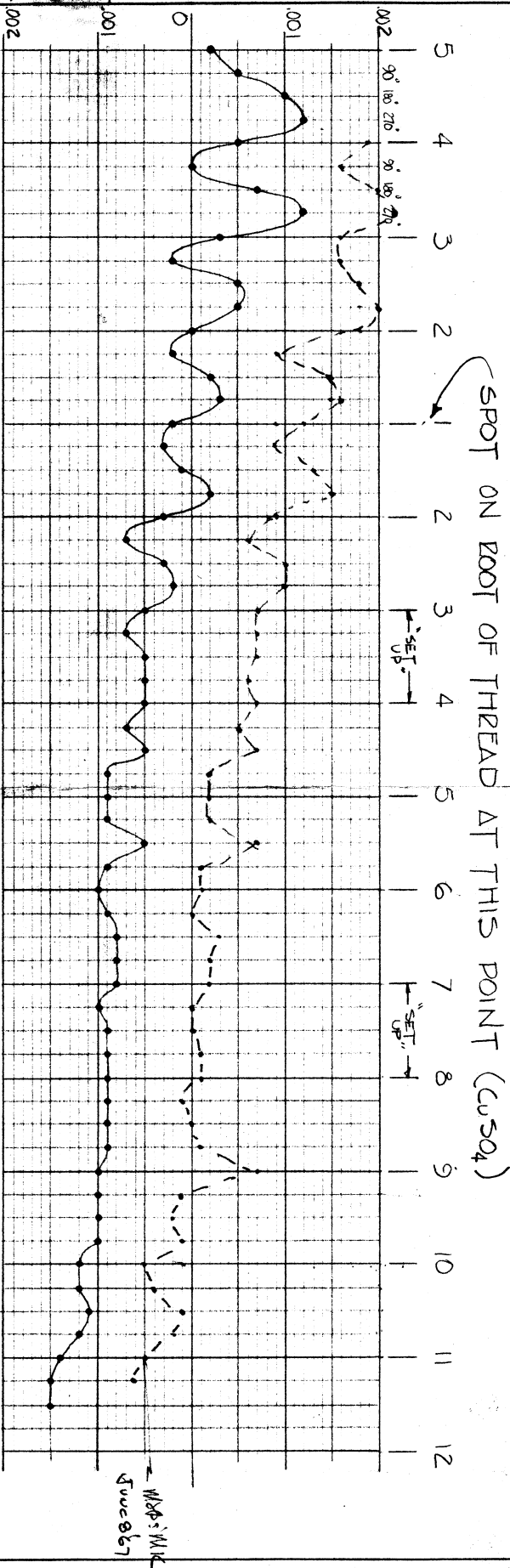


R.A. WORM GEARBOX
 SUB ASSEMBLY
 DATE: AOZ-04
 DATE: AOZ-04-1100



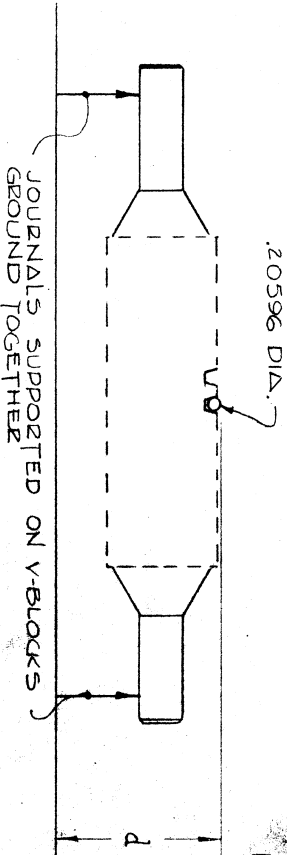
LAYOUT - G LINK MOD FOLDING FLAT DETAIL SUBASSY A02-C7

REV	DATE	BY	CHKD	DESCRIPTION
1	02/27/07
2	03/01/07
3	03/01/07
4	03/01/07
5	03/01/07
6	03/01/07
7	03/01/07
8	03/01/07
9	03/01/07
10	03/01/07
11	03/01/07
12	03/01/07
13	03/01/07
14	03/01/07
15	03/01/07
16	03/01/07
17	03/01/07
18	03/01/07
19	03/01/07
20	03/01/07
21	03/01/07
22	03/01/07
23	03/01/07
24	03/01/07
25	03/01/07
26	03/01/07
27	03/01/07
28	03/01/07
29	03/01/07
30	03/01/07
31	03/01/07
32	03/01/07
33	03/01/07
34	03/01/07
35	03/01/07
36	03/01/07
37	03/01/07
38	03/01/07
39	03/01/07
40	03/01/07
41	03/01/07
42	03/01/07
43	03/01/07
44	03/01/07
45	03/01/07
46	03/01/07
47	03/01/07
48	03/01/07
49	03/01/07
50	03/01/07
51	03/01/07
52	03/01/07
53	03/01/07
54	03/01/07
55	03/01/07
56	03/01/07
57	03/01/07
58	03/01/07
59	03/01/07
60	03/01/07
61	03/01/07
62	03/01/07
63	03/01/07
64	03/01/07
65	03/01/07
66	03/01/07
67	03/01/07
68	03/01/07
69	03/01/07
70	03/01/07
71	03/01/07
72	03/01/07
73	03/01/07
74	03/01/07
75	03/01/07
76	03/01/07
77	03/01/07
78	03/01/07
79	03/01/07
80	03/01/07
81	03/01/07
82	03/01/07
83	03/01/07
84	03/01/07
85	03/01/07
86	03/01/07
87	03/01/07
88	03/01/07
89	03/01/07
90	03/01/07
91	03/01/07
92	03/01/07
93	03/01/07
94	03/01/07
95	03/01/07
96	03/01/07
97	03/01/07
98	03/01/07
99	03/01/07
100	03/01/07



PITCH LINE DEVIATION

NOTE: JOURNALS WERE GROUND CONCENTRIC
 PITCH LINE BETWEEN 3 1/4 & 7 1/8. THERE IS
 LESS DEVIATION RELATIVE TO THE JOURNALS
 IN THESE TWO AREAS. THE THREADS ARE
 MARKED ON THE WORM WITH CuSO₄.



TOLERANCES
 Unless Otherwise Specified

0.00	± .010	Fractions
0.000	± .003	± .01
0.0000	± .001	Angles ± 0° 15'

ASTRO MECHANICS, INC.		AUSTIN, TEXAS	
8500 RESEARCH BLVD.			
PITCH LINE DEVIATION OF			
GLINK 36" RA. WORM			
NO. RECD.	MATL.	DATE	29 MAY 67
SCALE	DWG. NO.		